

ATISLELOK®

AisleLok® Acrycell™ Sealing Tape

Part Number

| | |
|-----------|------------|
| 10108-001 | .5" (13mm) |
| 10108-002 | 1" (25mm) |
| 10108-003 | 2" (50mm) |



1" Acrycell Sealing Tape
Part No. 10108-002

Application

The AisleLok® Acrycell Sealing Tape is the premium choice for sealing unusual gaps and openings in the data center including:

- Room perimeter.
- Floor openings.
- Under cabinets.
- Between racks.
- Around CRAC units.

Its revolutionary sealing technology greatly reduces costly bypass airflow, increasing usable cooling unit capacity, and ensuring maximized efficiency from HVAC equipment.

Features

- Non-particulating tape is safe for the data center and ensures a durable secure seal .
- AisleLok® products are compliant with directive 2002/95/EC of the European Parliament and the Council on the Restriction of the Use of Certain Hazardous Substances in Electrical and Electric Equipment (RoHS).
- Time release expansion allows product installation without disturbing cables; tape will fully expand within 72 hours or longer depending on ambient temperature.
- Conforms to non-uniform spaces when completely expanded.
- Compact size for easy portability.

Benefits

- Supports increasing cabinet density.
- Increases existing cooling unit capacity.
- Reduces the need to purchase additional cooling units.
- Improves IT equipment reliability and extends equipment life.

Unique Acrycell Technology

Confirmed by a 3rd party laboratory's accelerated aging test this non-particulating sealing tape is truly "Data Center Safe" and also offers:

- Time release expansion that ensures a tight seal around cables and other impediments.
- Moldable physical quality that forms a tight seal on uneven surfaces and gaps.
- Customizable tape unrolls creating one continuous and uniform top-to-bottom seal.
- "Peel and Stick" installation saves labor, time and money.
- Compressed tape eliminates pinching, stuffing, or otherwise manipulating to install.

Specifications

| Acrycell Sealing Tape | | Compressed Tape Minimum Effective Thickness | Expanded Tape Maximum Effective Thickness | Tape Width | Roll Length |
|-----------------------|-------------|---|---|--------------|---------------|
| Part No. 10108-001 | .5" (13 mm) | .20" (5 mm) | .50" (12.7 mm) ±10% | .39" (10 mm) | 32.8' (10 m) |
| Part No. 10108-002 | 1" (25 mm) | .47" (12 mm) | 1" (25.4 mm) ±10% | .59" (15 mm) | 18.4' (5.6 m) |
| Part No. 10108-003 | 2" (50mm) | .87" (225 mm) | 2" (50.8 mm) ±10% | .98" (25 mm) | 8.5' (2.6 m) |

Each carton contains 5 rolls of the specified size.

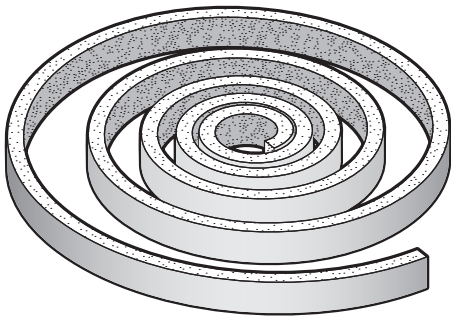
Data Center Safe Sealing System

Confirmed "Data Center Safe", the non-particulating, time release Acrycell sealing technology is designed to seal gaps against racks, cabinets or other enclosures in the mission critical data center environment.

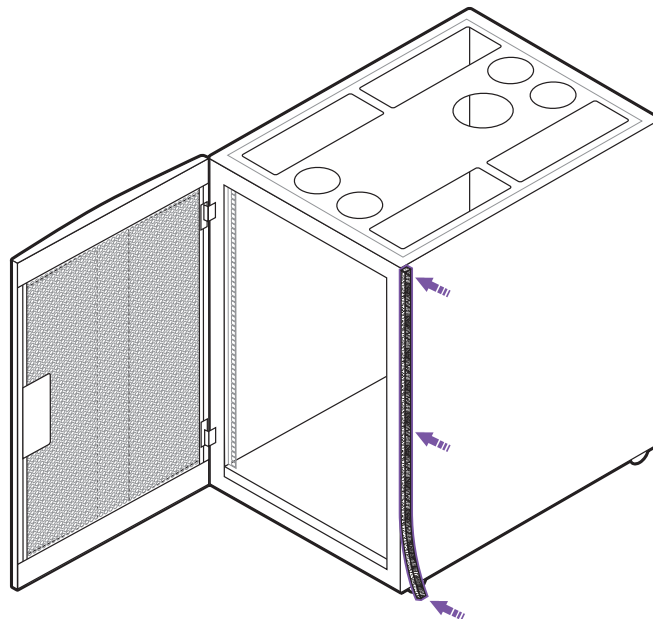
Sealing Effectiveness

Acrycell sealing technology has been engineered to fill gaps tightly against airflow and particulates across a wide spectrum of widths. Confidently and cost effectively sealing gaps against errant airflow ranging from 5 to 50mm in width, between racks, cabinets, or other data center equipment.

Product Drawings



.5" Acrycell Sealing Tape



Temperature Resistance

Durable Acrycell sealing tape is both temperature resistant from -40 to 212°F (-40 to 100°C) and fire resistant to DIN 4102 Class B1.

Finish: Black

Mounting System

Adhesive mounting system consisting of:

- Single-sided, pressure sensitive tape with durable and field tested adhesive backing.